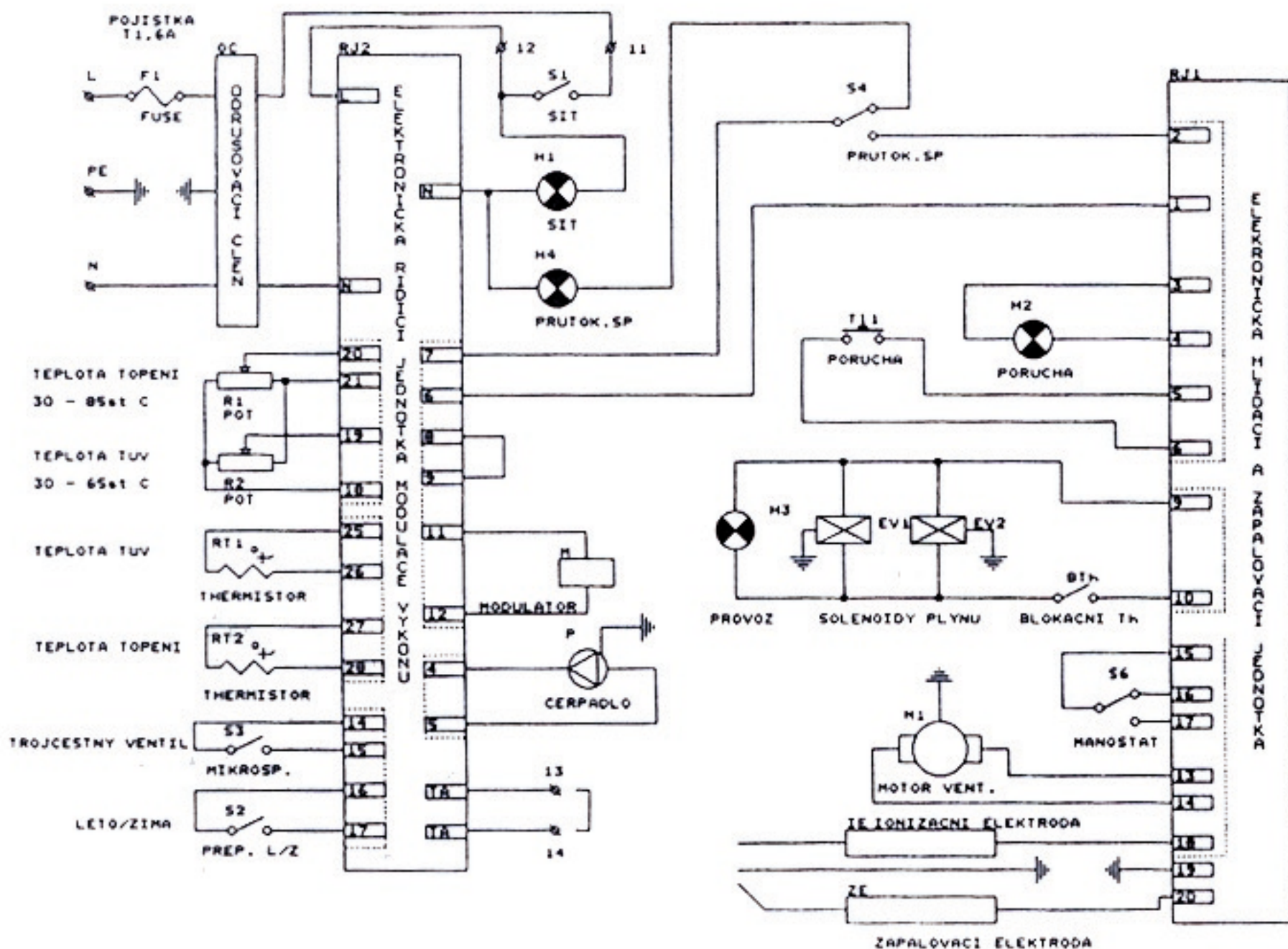


Therm 12 a 23 turbo CLX

svorkovnice
kotle



SITOVY
PRIVOD

PROSTOROVY
TERMOSTAT
SPINACI NAPETI 12V =

