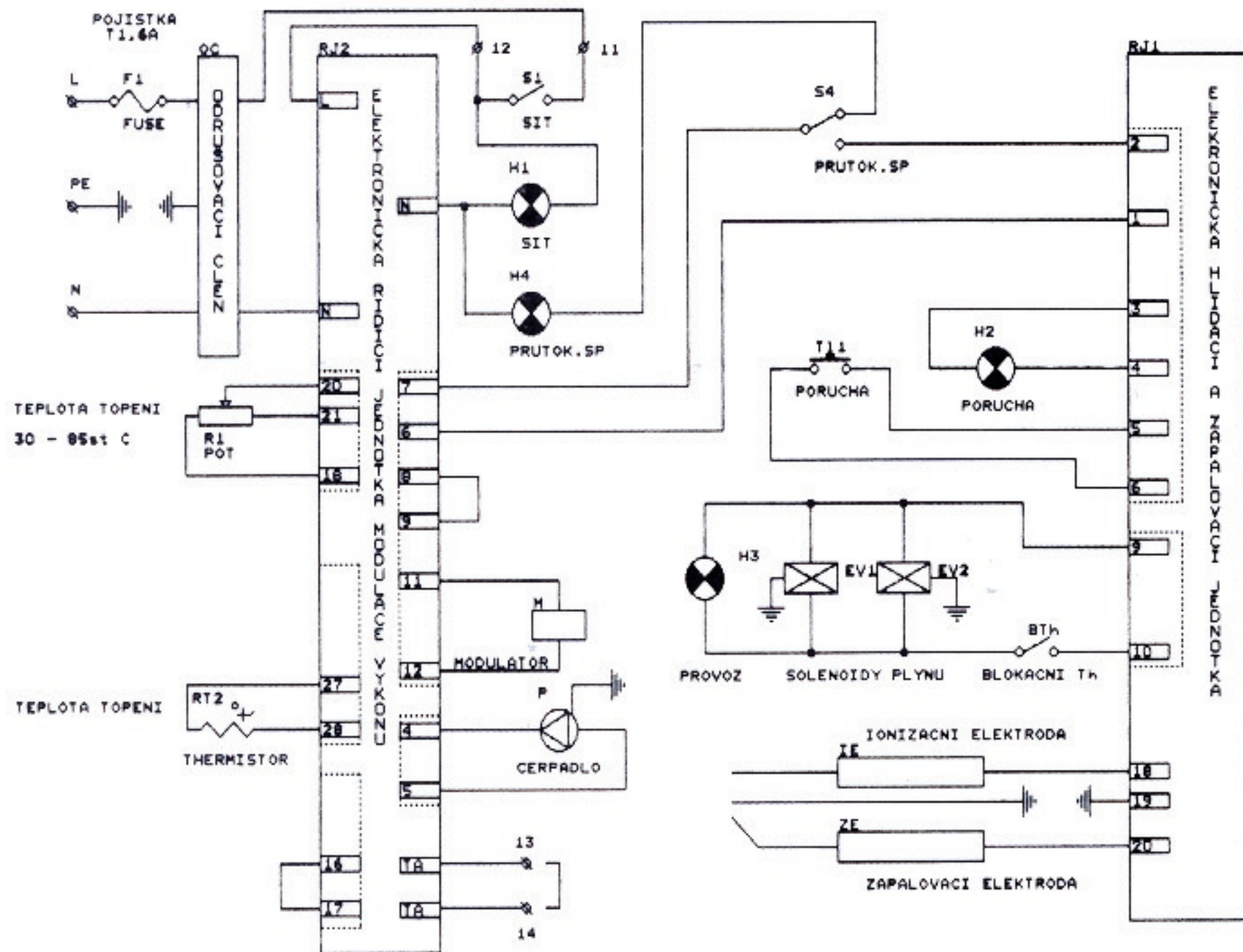
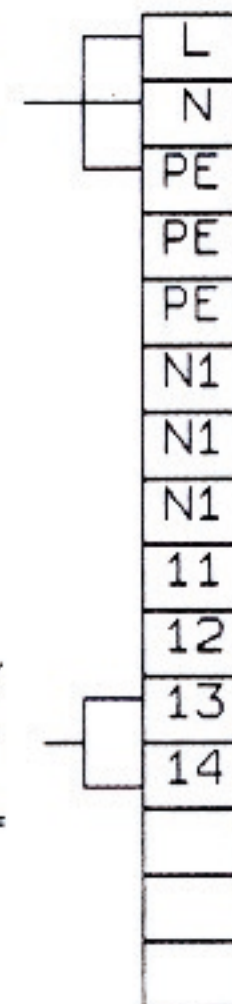


Therm 12 a 23 LX

svorkovnice
kotle



SITOVY
PRIVOD



PROSTOROVY
TERMOSTAT
SPINACI NAPETI 12V =